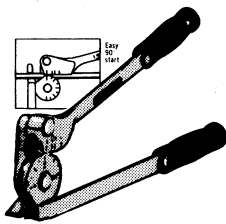


HANDTOOLS



tube benders

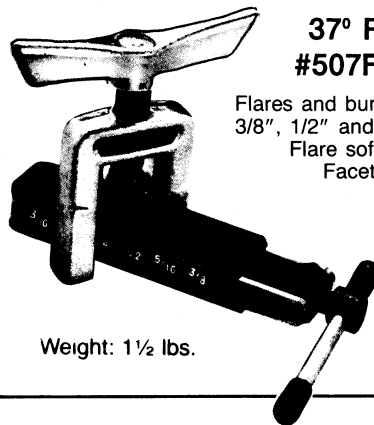
(Lever Type)
For Bending Annealed Copper, Aluminum, Steel, Stainless Steel and Hard Copper Tubing of Bending Temper (Including K Types, L and ACR).

LEVER-TYPE BENDERS

Each tool bends one size. Open side type which slips over tube at any point. Makes smooth short radius bends up to 180° with minimum effort. No marking, scraping or flattening of tubing. Calibrated to show angle of bend. Wide hook grips tubing securely.

New fixed hook tube benders furnished for 1/4 to 1/2" O.D. sizes have easy 90° start - require much less effort to make fast, accurate bends. Wide fixed hook simplifies operation, holds tubing securely. Each tool bends only one size.

Catalog Number	Diameter of Tubing	Outside Nominal Size	Radius To Center of Tube	Weight Each
364-FHB-04	1/4	1/8	3/16	1 lb.
364-FHB-05	5/16	—	11/14	1-1/8 lbs.
364-FHB-06	3/8	1/4	14/16	1-3/4 lbs.
364-FHB-07	7/16	—	1-1/2	3-1/2 lbs.
364-FHB-08	1/2	3/8	1-1/2	3-1/2
364-FHA-10	5/8	1/2	2-1/4	5-1/2 lbs.



37° Rol-Air® Flaring Tool #507FB

Flares and burnishes 3/16", 1/4", 5/16", 3/8", 1/2" and 5/8" O.D. tubing. Flare soft copper, aluminum and brass. Faceted, hard chrome finished cone rolls out perfect 37° flares above die block—then automatically burnishes flare face. Original wall thickness maintained at base of flare. Slip-on yoke permits use in tight quarters. Heat treated dies grip tubing without scoring.

Weight: 1 1/2 lbs.



heavy-duty tube cutter

For 1/8 to 1-1/8 Tubing

TC1000

safety wire twisters

(With Spring Return)



Three-in-one tool: plier, twister, and cutter. Used on wire sizes .060 or less. Grips wire into 30 slip-proof angle. One-hand operation. 10" O.A.L.

#68
#68B Endbearing.....



HANDY - CONVENIENT
stainless steel
aircraft safety
wire

#65
(.032 Diameter)
#66
(.041 Diameter)
#67
(.021 Diameter)

- 1 lb. Spool
- 302 MS — 20995-C Stainless Steel Wire (Conforms to Mill Spec W6713)

PARKER BEADING TOOL SET

NEW SURPLUS



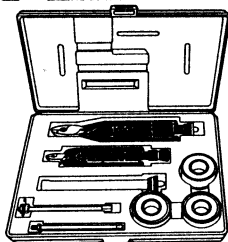
FOR BEADING TUBING 1/8" to 3/4"
Consists of 1 rubber-jawed vise assembly, 3 beading assembly devices complete with full size range of rollers.

#416

SAFETY WIRE TWISTER TOOLS



MILBAR®



No. 105W

Professional Safety Wiring Kit. Contains three different Twisters to cover almost any application: 9" Automatic, 6" Mini, and a 19" Deep Reach Twister. Includes three 1/4 lb. spools of stainless steel safety wire (.020, .032, .040). Durable plastic storage case.

Weight: 4 lbs.
Length: 13-1/2" Width: 10"
Height: 2-1/16"

PLIERS - Note: Unless otherwise stated, all models feature Right Hand Twist and Diagonal Nose.

6" Manual and Automatic Spring Returns



1W



45W



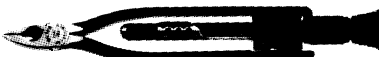
9W
9WS
10W
11W
11WS
45W

Tapered Nose
Tapered Nose - Automatic Return
Square Nose
Diagonal Nose (NSN 5120-01-307-5143)
Diagonal Nose - Automatic Return
Reversible - Automatic Return

9" Automatic Spring Return



1W393



41W



1W393
12W6
3W6
5W4
1W277
41W

Automatic (NSN 5120-01-112-5031)
Square Nose
Cushion Throat
Left Hand Twist
No Cutting Blade
Reversible

12" Automatic Spring Return



2W393



42W



2W393
4W6
6W4
42W

Automatic
Cushion Throat
Left Hand Twist
Reversible