

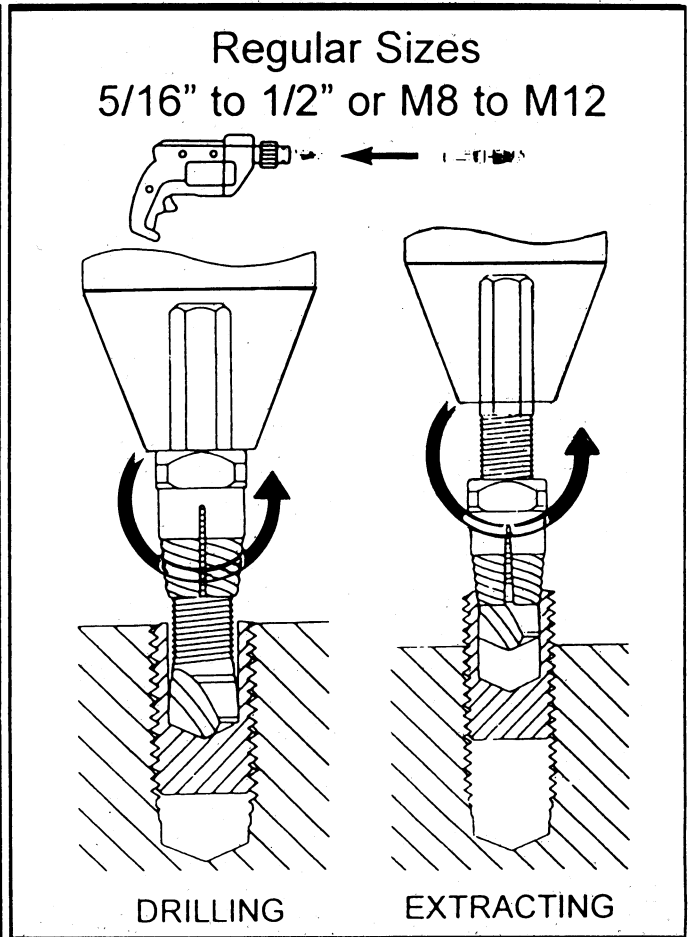
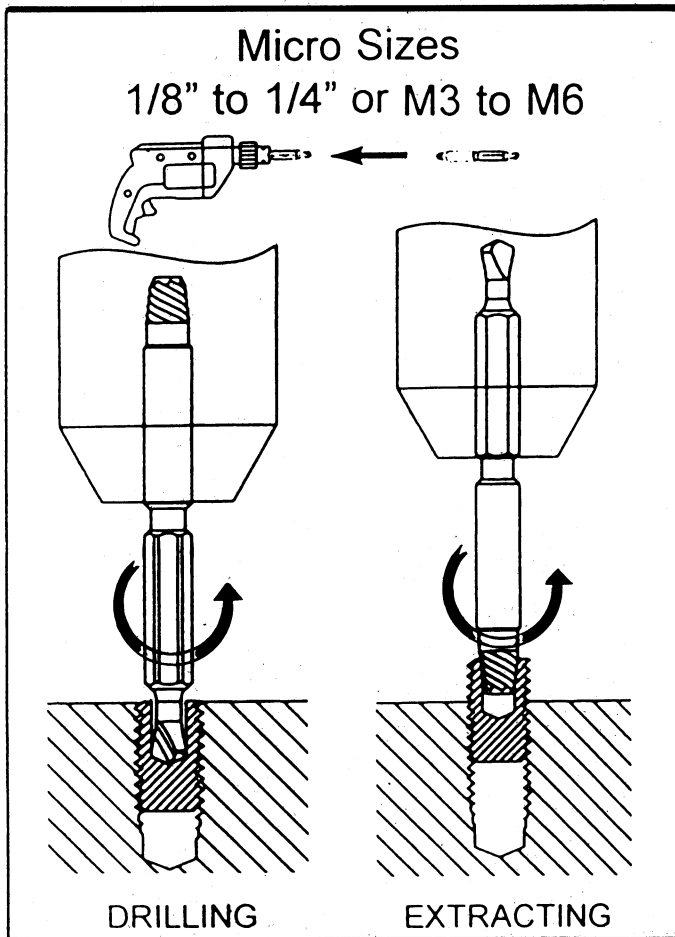


# DRILL-OUT<sup>®</sup> POWER EXTRACTORS

## DRILL BIT AND EXTRACTOR IN ONE

### WORKS ON:

- Most Common Fasteners: Grade 2 to 8, class 5.6 to 10.9 & stainless steel.
- Inch & Metric sizes: 1/8" to 1/2" or M3 to M12.
- Jagged, uneven or rough breaks; drill point eliminates walking, no centering tools are needed.
- Confined work space; small design allows easy access.



Stock #	Set of 4 includes:	Individual tool:	Stock #	Set of 4 includes:	Individual tool:
P450S	#5 or #6 or M3 #8 or M4 #10 or #12 or M5 1/4 inch or M6		P401S	1/4 inch or M6 5/16 inch or M8 3/8 inch or M10 1/2 inch or M12	
P125S	—	#5 or #6 or M3	P250S	—	1/4" or M6
P164S	—	#8 or M4	P312S	—	5/16" or M8
P190S	—	#10 or #12 or M5	P375S	—	3/8" or M10
P236S	—	1/4 inch or M6	P500S	—	1/2" or M12