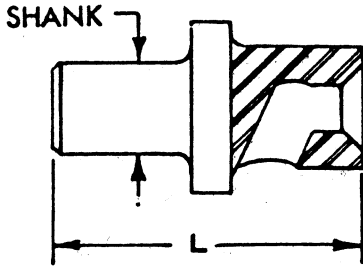


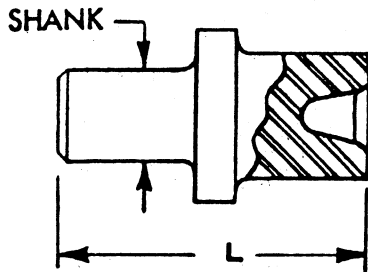
Rivet Sets For Use With Jiffy Series B Type Riveters

HIGH-SHEAR STRAIGHT DRIVE SETS



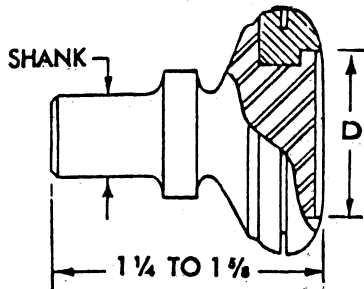
RIVET SIZE	.401 SHANK		PRICE
	Part No.	"L"	
1/8	SMJ540	1-1/4	
5/32	SMJ541	1-5/16	
3/16	SMJ542	1-3/8	
1/4	SMJ543	1-7/16	

HUCK STUMP BOLT STRAIGHT DRIVE SETS



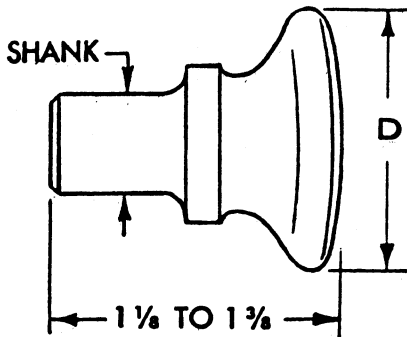
RIVET SIZE	.401 SHANK		PRICE
	Part No.	"L"	
1/8	SMJ550	1-1/4	
5/32	SMJ551	1-5/16	
3/16	SMJ552	1-3/8	
1/4	SMJ553	1-7/16	

FLUSH SETS WITH RUBBER GUARD



"D" Dim.	.401 Shank	PRICE
3/4"	SMJ530	
1"	SMJ531	
1-1/4"	SMJ532	

FLUSH SETS



.401 Shank	"D" Dim.	PRICE
SMJ559	3/4"	
SMJ560	1"	
SMJ561	1-1/4"	