

HUCK PNEUDRALIC INSTALLATION TOOLS

► MODEL 200 PNEUDRALIC INSTALLATION TOOL

TOOL SPECIFICATIONS

The Model 200 is designed to install fasteners requiring double action or single action installation tooling. It provides a separate lock collar driving function—the double action that drives the lock of blind rivet and blind bolt fasteners.

The Model 200 is a production tool that is easy to handle, and requires a minimum of maintenance. The

lightweight aluminum cylinder is steel sleeved, and to check reliability, factory tested for 2,000 cycles.

The power, speed, and accuracy of the Model 200 are obtained through a pneumatic-hydraulic intensifier system powered by 90-100 psi air.

Specifications

Weight:
10.50 lbs. (4.80 kg)

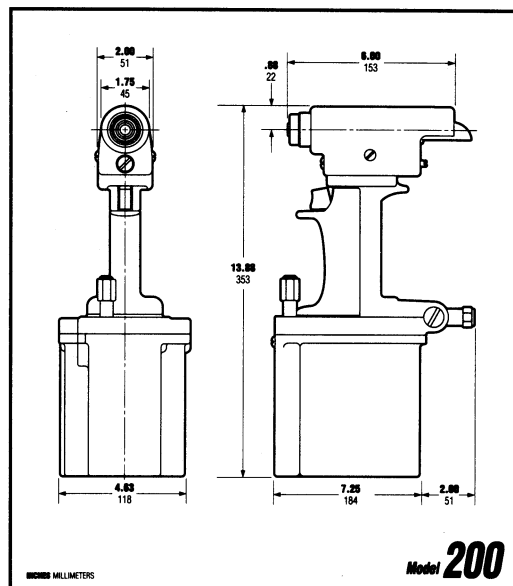
Air Pressure Required:
90-100 psi (620-690 kPa)

Air Consumption:
18 CFM (0.009 m³/s) based on 30 fastener installations per minute

Hydraulic Fluid:
Automatic Transmission Fluid
DEXRON II® or equivalent

Stroke:
1.19 in (30 mm)

Note: This tool must be equipped with a nose assembly designed for the installation of a specific fastener. Nose assemblies must be ordered separately.



► MODEL 212 PNEUDRALIC INSTALLATION TOOL

TOOL SPECIFICATIONS

The Model 212 installation tool is a lightweight, high production, pneudralic fastener installation tool.

The Model 212 has been designed to provide reduced shock at pinbreak, and a straight on Head/Handle design for maximum comfort while holding the tool.

The Model 212 is designed to

install 3/16" and 1/4" diameter HUCKBOLT® and Blind Rivet fasteners.

The Model 212 has replaced the Model 210.

Specifications

Weight:
8.50 lbs. (3.0 kg)

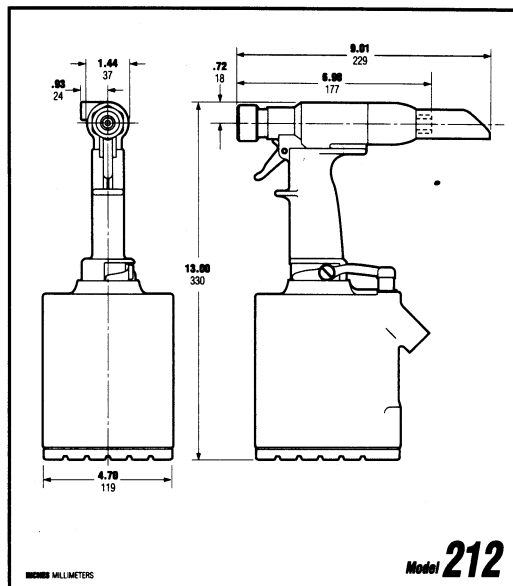
Air Pressure Required:
90-100 psi (620-690 kPa)

Air Consumption:
3 CFM (0.003 m³/s) based on 30 fastener installations per minute

Hydraulic Fluid:
Automatic Transmission Fluid
DEXRON II® or equivalent

Stroke:
.85 in (21.6 mm)

Note: This tool must be equipped with a nose assembly designed for the installation of a specific fastener. Nose assemblies must be ordered separately.



► MODEL 230 PNEUDRALIC INSTALLATION TOOL

TOOL SPECIFICATIONS

Model 230 is a lightweight production tool. Pulling action of the pull piston is provided by a pneumatic-hydraulic intensifier system powered by 100 psi maximum air pressure.

The Model 230 features a one piece, high impact polymer handle and cylinder design, an in-line piston extending the life of the cylinder and O-ring seals, pull piston wiper preventing abrasive particles from

damaging seals, and air porting with muffler exhausts air from bottom of tool.

Specifications

Weight:
4.80 lbs. (2.18 kg)

Air Pressure Required:
90-100 psi (620-690 kPa)

Air Consumption:
3.9 CFM (0.002 m³/s) based on 18-20 fastener installations per minute

Hydraulic Fluid:
Automatic Transmission Fluid
DEXRON II® or equivalent

Stroke:
1.00 in (25 mm)

Note: This tool must be equipped with a nose assembly designed for the installation of a specific fastener. Nose assemblies must be ordered separately.

