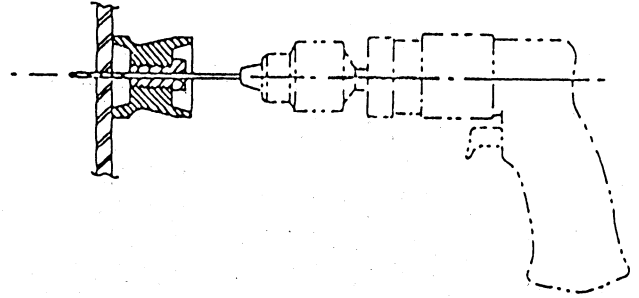


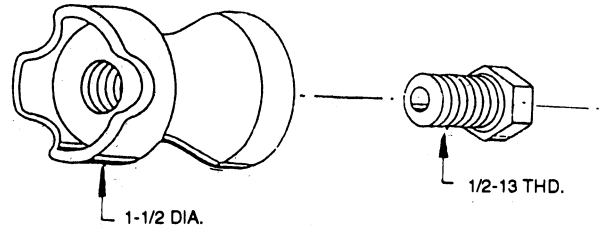
PORTABLE DRILL BUSHING ASSEMBLY

589A

A hand held guide to keep drills and taps 90° to the skin surface. The guide assembly consists of a clear plastic housing and a special screw in type hardened steel bushing. Bushings can be interchanged in one housing within the sizes indicated #40 thru 11/32" on the ordering chart.

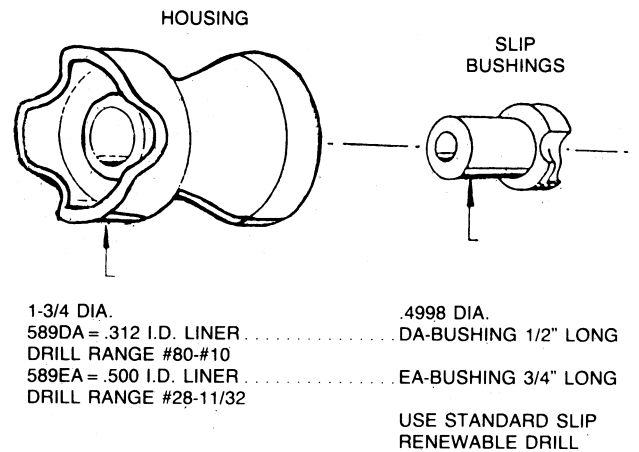


PART NO. FOR COMPLETE ASSEMBLY OF HOUSING & BUSHINGS	DRILL SIZE REF.	HOUSING PART NO.	BUSHING PART NO.	BUSHING THREAD SIZE
589A-.098	#40	589AA	589AB-.098	1/2-13
589A-.1285	#30		589AB-.1285	
589A-.159	#21		589AB-.159	
589A-.1562	5/32		589AB-.1562	
589A-.1875	3/16		589AB-.1875	
589A-.1935	#10		589AB-.1935	
589A-.2187	7/32		589AB-.2187	
589A-.250	1/4		589AB-.250	
589A-.257	F		589AB-.257	



OTHER DRILL SIZES AVAILABLE ON REQUEST

PART NO. FOR COMPLETE ASSEMBLY OF HOUSING & BUSHINGS	DRILL SIZE REF.	HOUSING PART NO.	BUSHING PART NO.
589DA #40	#40	589DA	589DAB-#40
589DA-3/32	3/32		589DAB-3/32
589DA-#30	#30		589DAB-#30
589DA-1/8	1/8		589DAB-1/8
589DA-#21 *	#21		589DAB-#21 *
589DA-5/32 *	5/32		589DAB-5/32 *
589DA-#10 *	#10	589EA	589DAB-#10 *
589EA-3/16	3/16		589EAB-3/16
589EA-7/32	7/32		589EAB-7/32
589EA-1/4	1/4		589EAB-1/4



* AVAILABLE EITHER 'DA' OR 'EA' STYLE BUSHING