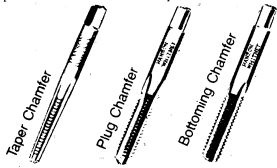


# TAP SETS



Each Set  
Contains  
Three  
Taps:

## EXPLANATION OF DESCRIPTION

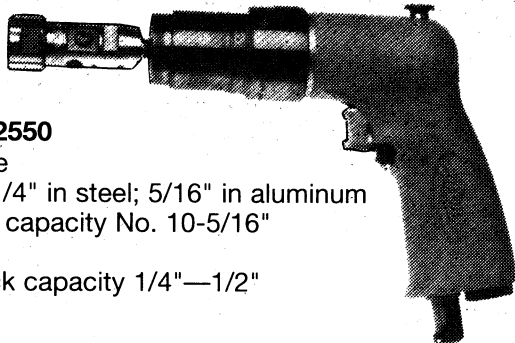
| SIZE   | THREAD                     | NO. FLUTES | TYPE FLUTE |             | PITCH DIA. LIMIT NO. |
|--|----------------------------|------------|------------|-------------|----------------------|
| Numbered Sizes and Fractional Sizes as Shown | Number of Threads per inch | 3<br>4     | Symbol     | Explanation | H2<br>H3             |
|  |                            |            | FL         | Str. Flute  |                      |

**THE HANSON-WHITNEY  
COMPANY**  
*High Speed Steel...  
Ground Thread  
MADE IN USA*

## ORDER BY SET NUMBERS OR INDIVIDUAL TAP NUMBER

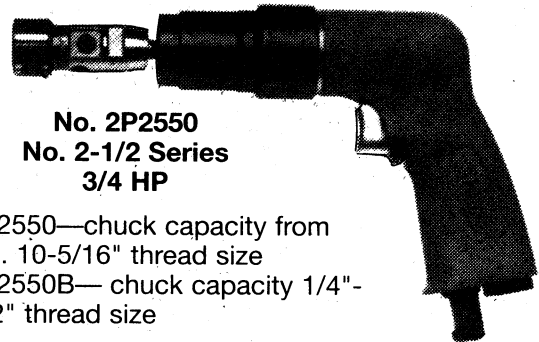
| SET NO.                        | SET DESCRIPTION |     |    |     |         | THRD SIZES | INDIVIDUAL TAPS NOS. |       |           |
|--------------------------------|-----------------|-----|----|-----|---------|------------|----------------------|-------|-----------|
|                                |                 |     |    |     |         |            | Taper                | Plug  | Bottoming |
| <b>Machine Screw Tap Sets:</b> |                 |     |    |     |         |            |                      |       |           |
| 10685                          | 4-40            | 3FL | H2 | Set | 4-40    | 10686      | 10687                | 10688 |           |
| 10805                          | 4-48            | 3FL | H2 | Set | 4-48    | 10806      | 10807                | 10808 |           |
| 10925                          | 4-36            | 3FL | H2 | Set | 4-36    | 10926      | 10927                | 10928 |           |
| 11300                          | 6-32            | 3FL | H3 | Set | 6-32    | 11301      | 11302                | 11303 |           |
| 11470                          | 6-40            | 3FL | H2 | Set | 6-40    | 11471      | 11472                | 11473 |           |
| 11710                          | 8-32            | 4FL | H3 | Set | 8-32    | 11711      | 11712                | 11713 |           |
| 12030                          | 8-36            | 4FL | H2 | Set | 8-36    | 12031      | 12032                | 12033 |           |
| 12330                          | 10-24           | 4FL | H3 | Set | 10-24   | 12331      | 12332                | 12333 |           |
| 12675                          | 10-32           | 4FL | H3 | Set | 10-32   | 12676      | 12677                | 12678 |           |
| <b>Hand Tap Sets:</b>          |                 |     |    |     |         |            |                      |       |           |
| 20135                          | 1/4-20          | 4FL | H3 | Set | 1/4-20  | 20136      | 20137                | 20138 |           |
| 20635                          | 1/4-28          | 4FL | H3 | Set | 1/4-28  | 20636      | 20637                | 20638 |           |
| 21135                          | 5/16-18         | 4FL | H3 | Set | 5/16-18 | 21136      | 21137                | 21138 |           |
| 21635                          | 5/16-24         | 4FL | H3 | Set | 5/16-24 | 21636      | 21637                | 21638 |           |
| 22075                          | 3/8-16          | 4FL | H3 | Set | 3/8-16  | 22076      | 22077                | 22078 |           |
| 22575                          | 3/8-24          | 4FL | H3 | Set | 3/8-24  | 22576      | 22577                | 22578 |           |
| 23075                          | 7/16-14         | 4FL | H3 | Set | 7/16-14 | 23076      | 23077                | 23078 |           |
| 23575                          | 7/16-20         | 4FL | H3 | Set | 7/16-20 | 23576      | 23577                | 23578 |           |
| 24075                          | 1/2-13          | 4FL | H3 | Set | 1/2-13  | 24076      | 24077                | 24078 |           |
| 24575                          | 1/2-20          | 4FL | H3 | Set | 1/2-20  | 24576      | 24577                | 24578 |           |
| 25010                          | 9/16-12         | 4FL | H3 | Set | 9/16-12 | 25011      | 25012                | 25013 |           |
| 25510                          | 9/16-18         | 4FL | H3 | Set | 9/16-18 | 25511      | 25512                | 25513 |           |
| 26010                          | 5/8-11          | 4FL | H3 | Set | 5/8-11  | 26011      | 26012                | 26013 |           |
| 26510                          | 5/8-18          | 4FL | H3 | Set | 5/8-18  | 26511      | 26512                | 26513 |           |

# TAPPERS



**No. O2550**

- Rapid reverse
- Capacity of 1/4" in steel; 5/16" in aluminum
- O2550 chuck capacity No. 10-5/16" thread size
- O2550B chuck capacity 1/4"—1/2" thread size



**No. 2P2550  
No. 2-1/2 Series  
3/4 HP**

- 2P2550—chuck capacity from No. 10-5/16" thread size
- 2P2550B—chuck capacity 1/4"—1/2" thread size

| Handle |      | R.P.M. No Load | Cat. No.      | Side To Center Ins. | Torque In. Lbs. | Hose Conn. | Min. Hose Size | Overall Length Ins. | Net Weight Tool Only Lbs. Oz. |
|--------|------|----------------|---------------|---------------------|-----------------|------------|----------------|---------------------|-------------------------------|
| Pistol | Rev. | 400            | <b>2P2550</b> | 29/32               | 310             | 1/4"PT     | 3/8"           | 8-1/4               | 2-15                          |
|        |      | 350            | <b>O2550</b>  | 29/32               | 110             | 1/4"PT     | 3/8"           | 8-1/2               | 3                             |

Suffix Cat. No. with "B" for 1/4"—1/2" chuck capacity.