

# COMPOSITE TOOLS

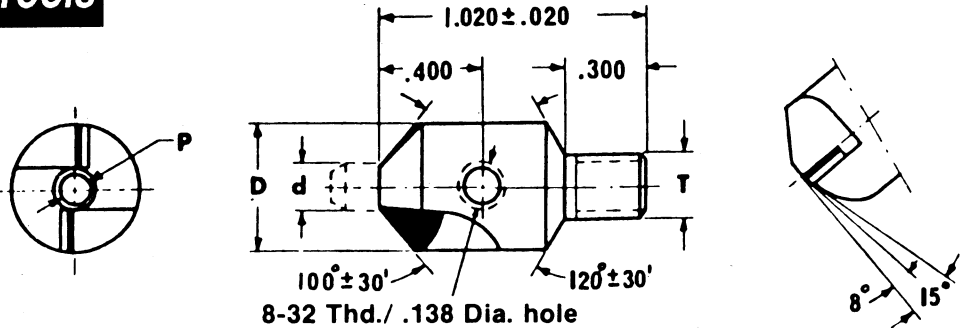
*Polycrystalline Diamond/C.B.N. Special Rotary Cutting Tools and Plated Diamond*

## Special Rotary Cutting Tools

**P.C.D.  
(POLYCRYSTALLINE DIAMOND) TIPPED COUNTERSINK FOR CARBON AND FIBER**

**FEATURES:**

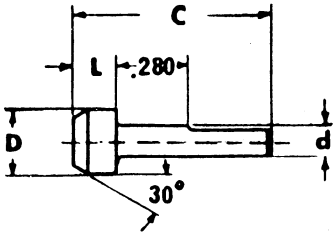
- \* 4340 STEEL BODY
- \* SINGLE OR DOUBLE FLUTES
- \* INTERCHANGABLE SOLID CARBIDE PILOT
- \* MANUFACTURED WITH GENERAL ELECTRIC SERIES 1500 COMPAX®



STANDARD TOOLS (INCH SIZES)

PART NO.		STYLE		BODY	MIN. PILOT	PILOT HOLE	SHANK
SINGLE FLT.	DOUBLE FLT.	SINGLE FLT.	DOUBLE FLT.	Dia. D	Dia. P= .0002	Dia. d	THREAD T
335300	335305	CSC-08-100	CSC-08-100	.500	.165	.1250	1/4"-28
335310	335315	CSC-10-100	CSC-10-100	.625	.185	.1250	1/4"-28
335320	335325	CSC-12-100	CSC-12-100	.750	.240	.1875	3/8"-24

## SOLID CARBIDE PILOTS



PART NO.	STYLE	*SPECIFY PILOT Dia. d -.001	SHANK Dia. d -.0002	PILOT Length L	OVERALL Length C
335350	PC-02-D*	.165 - .312	.1248	.170	.770
335360	RC-03-D*	.240 - .452	.1873	.250	.850

## One Piece Diamond "Magnicon Bond" Saws

PART NO.	A	A MM	B	B MM	C	C MM	D	D MM	GRIT	# OF SLOTS	W x D
152100	1"	25.4	.080	2.0	1/4"	6.35	3	76.2	40	-	-
152150	1"	25.4	.080	2.0	1/4"	6.35	3	76.2	40	4	1/8" x 1/4"
152105	1 1/2"	38.0	.080	2.0	1/4"	6.35	3	76.2	40	-	-
152155	1 1/2"	38.0	.080	2.0	1/4"	6.35	3	76.2	40	4	1/8" x 1/4"
152110	2	51.0	.080	2.0	1/4"	6.35	3	76.2	40	-	-
152160	2	51.0	.080	2.0	1/4"	6.35	3	76.2	40	4	1/8" x 3/8"
152115	2	51.0	.080	2.0	3/8"	9.53	3	76.2	40	-	-
152165	2	51.0	.080	2.0	3/8"	9.53	3	76.2	40	4	1/8" x 3/8"
152120	3	76.2	.080	2.0	1/4"	6.35	3	76.2	40	-	-
152170	3	76.2	.080	2.0	1/4"	6.35	3	76.2	40	4	1/8" x 3/8"
152125	3	76.2	.080	2.0	3/8"	9.53	3	76.2	40	-	-
152175	3	76.2	.080	2.0	3/8"	9.53	3	76.2	40	4	1/8" x 3/8"
152130	4	101.6	.080	2.0	3/8"	9.53	3	76.2	40	-	-
152180	4	101.6	.080	2.0	3/8"	9.53	3	76.2	40	6	1/8" x 3/8"

