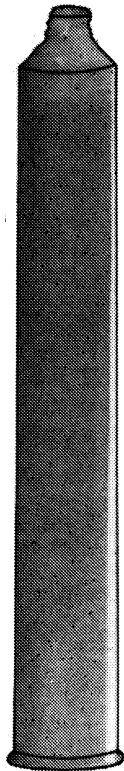


COMPLETE LINE OF VIRGIN POLYETHYLENE NOZZLES, CARTRIDGES AND ACCESSORIES

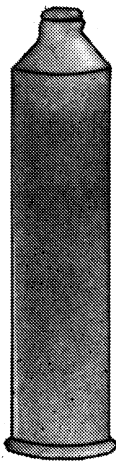
All "TS" Cartridges have inside thread only.

All "950" Cartridges are threaded *inside* and *outside*.

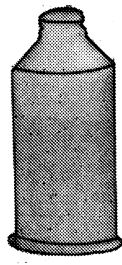


950-C-12X OR TS 120C
12 ounce cartridge
950-120-CP OR TS 120CP
12 ounce cartridge with plunger

950-60-CA OR TS 60C
6 ounce cartridge
950-60-CP OR TS 60CP
6 ounce cartridge with plunger



TS25C
2.5 ounce cartridge
TS25CP
2.5 ounce cartridge with plunger



CARTRIDGES

Pyles guns and associated plastics meet aerospace and military specifications; National Stock Numbers are available for each part.

All cartridges, nozzles, and accessories are quality molded from virgin polyethylene (no regrind) and are FDA approved.

STANDARD NOZZELS - thread inside cartridge.
To order see chart below! "for 950 and TS cartridges"



X SERIES COLOR CODED NOZZLES - thread outside of cartridge with an easy 1-1/2 turns to save time. To order see chart below! "for 950 cartridges only"

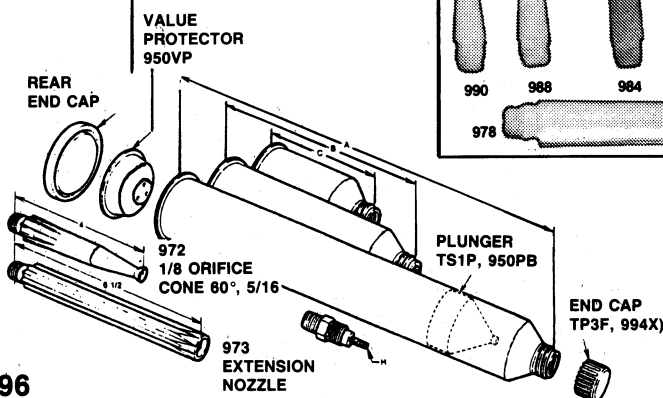
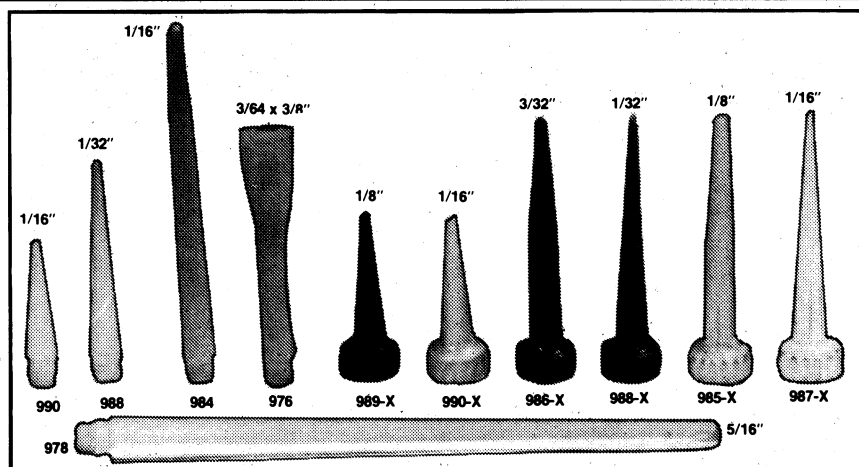
COLOR CODED PLASTIC NOZZLES

STANDARD PLASTIC NOZZLES

Model	Color	Length	Orifice
990	White	2.5"	1/16"
990-X	Red	2.5"	1/16"
989	White	2.5"	1/8"
989-X	Black	2.5"	1/8"
988	White	4"	1/32"
988-X	Green	4"	1/32"
987	White	4"	1/16"
987-X	White	4"	1/16"
986	White	4"	3/32"
986-X	Blue	4"	3/32"
985	White	4"	1/8"
985-X	Yellow	4"	1/8"

Model	Color	Length	Orifice
984	White	6"	1/16"
983	White	6"	1/8"
982	White	8"	1/16"
981	White	8"	1/8"
980	White	10"	1/16"
979	White	10"	1/8"
978	White	10"	5/16"
977	White	6"	1/16 x 1/4"
976	White	4 3/8"	3/8 x 3/64"
975	White	4"	1/16 x 1/2"
974	White	4 3/8"	1/8 x 3/4"
972	White	4"	5/16"

NOZZLES AND EXTENSIONS



End Cap snaps on back end of cartridge
#994-X
TP3F.....
Valve Protector protects air valve in gun
#950-VP



Plunger-New design prevents "flipping"
#950-PB
TS1P.....
Cover-Threads onto outside of cartridge for cartridge storage
#1859-3